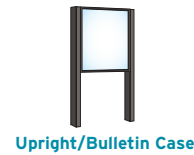


# Pannier Roof Structure

## Assembly and Installation Instructions

For use with the following exhibit bases:



FORM # ROOF01  
REV 06.10.21

### Inspect and Organize

As soon as your shipment arrives inspect all pieces and assembly components to make sure your delivery is complete.

**For each Roof Structure, the following will be included:**

- A. Frame Assembly
- B. Support Arms
- C. Roof Pieces
- D. 1/4"-20 Phillips Flat Head Screws & Nuts
- E. 3/8" Drive Rivets
- F. Ridge Cap
- G. Seam Caps

### Recommended tools and materials:

- Phillips Head Screwdriver
- 7/16" Wrench
- Ladder
- Painter's tape
- 50/50 water/isopropyl alcohol mixture
- Scuff pad

### Assemble and Install

Prior to installing the Roof Structure, follow the Frame Assembly Installation Instructions using Form #UPINST, also included.

**Pannier recommends completing Steps 1-3 and securing the Frame Assembly in the ground before installing the Roof Structure.**

While installing the roof, it is important to insert the screws and hand tighten only until all pieces are assembled and aligned. Then, tighten everything at the end.

Support Arms are included for each frame post. They are all identical. Attach Support Arms to the top of each mitered frame post using 3/8" Drive Rivets.

Next, you will attach the flat Roof Pieces to the mounting plate of the Support Arms. There are left and right Roof Pieces. They are not interchangeable and can be determined by looking at the placement of the holes (Figure 1). The countersunk holes face upward. Attach the Roof Pieces with 1/4"-20 Phillips Flat Head Screws and Nuts. After all are fastened, screws can be tightened and secured.

Once the Support Arms and Roof Pieces are aligned and all screws are tightened, place the Ridge Cap and Seam Caps over the seams in the roof. Test the placement using removable painter's tape before peeling the double-sided 3M tape. Once placement is determined, scuff the surface of the roof where tape will be applied and clean with a 50/50 water/isopropyl alcohol mixture. Adhere the caps by slowly peeling away the liner and pressing down the surface as you peel. **Note: This tape is extremely strong and once it is attached to the roof surface, it will not come off! Pre-alignment using painter's tape is critical.**

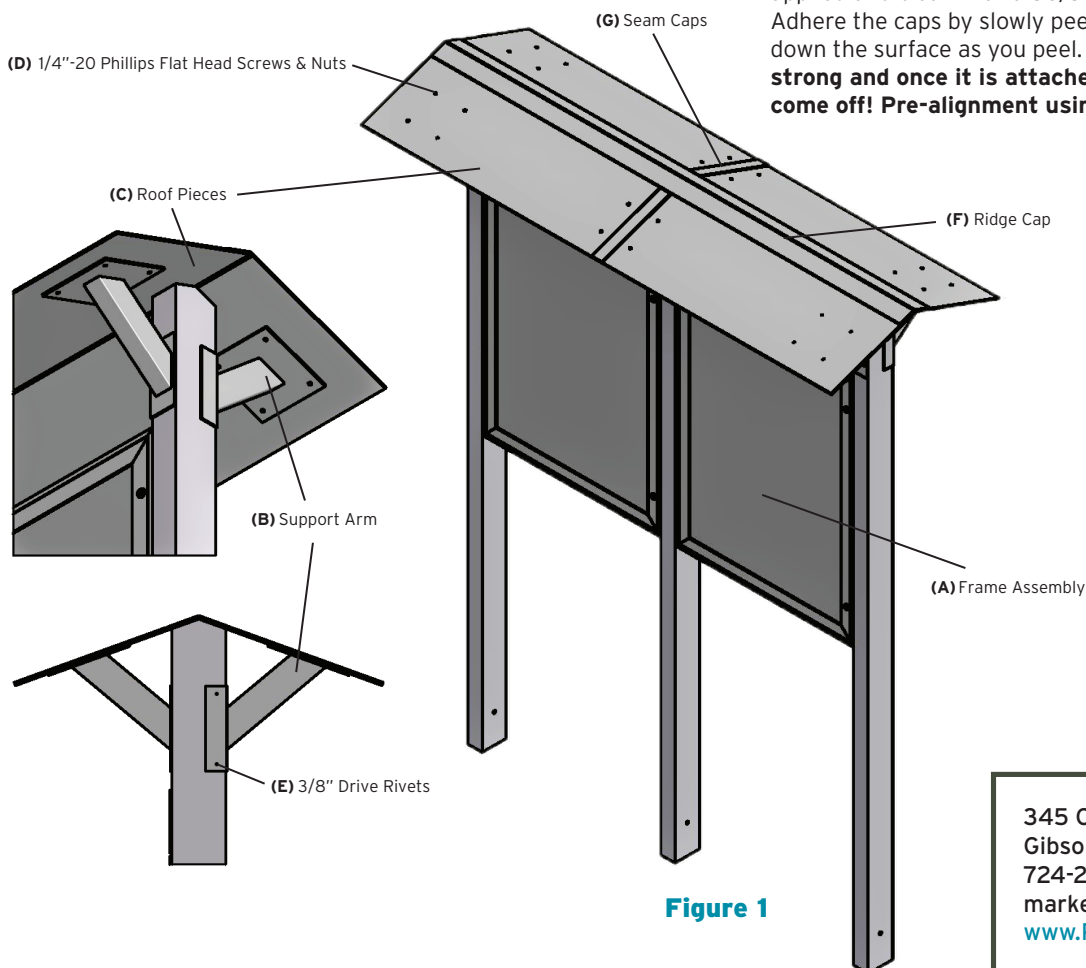


Figure 1

345 Oak Road  
Gibsonia, PA 15044  
724-265-4900  
marketing@pannier.com  
[www.PannierGraphics.com](http://www.PannierGraphics.com)

