

Cane Detection Bar

Assembly and Installation Instructions

For use with
the following
exhibit bases:



Cantilevered

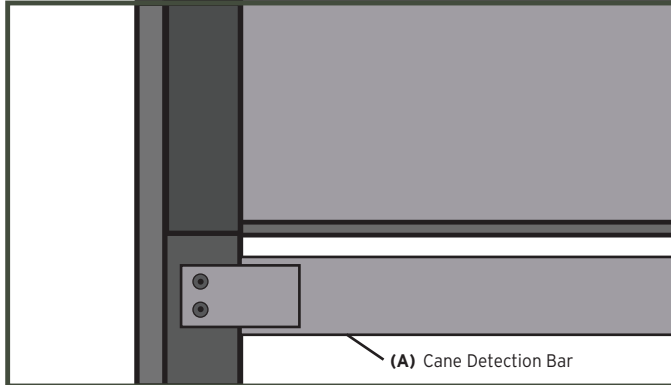
FORM # LPCDB
REV 10.12.20

For each Cane Detection Bar, the following will be included:

- A. Cane Detection Bar
- B. Four (4) Jack Nuts
- C. Four (4) 1 1/2" Phillips Flat Head Screws

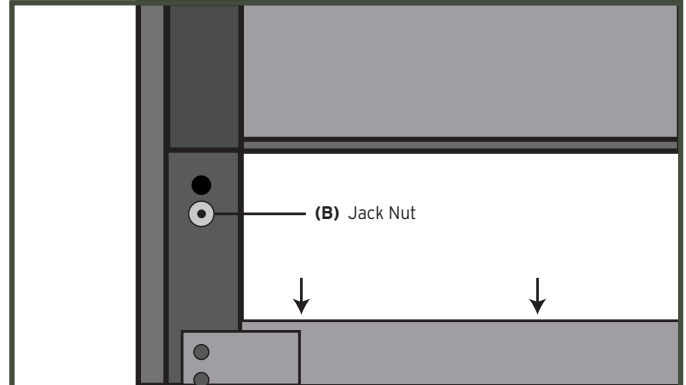
Recommended tools and materials:

- Power Drill
- Phillips Head Drill Bit
- 1/4" Drill Bit
- 7/16" Drill Bit
- Hammer
- Two (2) Clamps – open to at least 3 1/2"



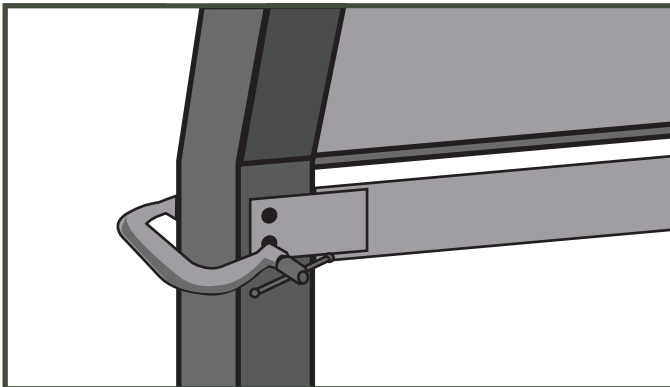
1. Drill Pilot Holes

Line up your Cane Detection Bar to the desired height on the back of the existing Pannier exhibit base posts. Using the power drill and 1/4" drill bit, drill two pilot holes into the back of each post.



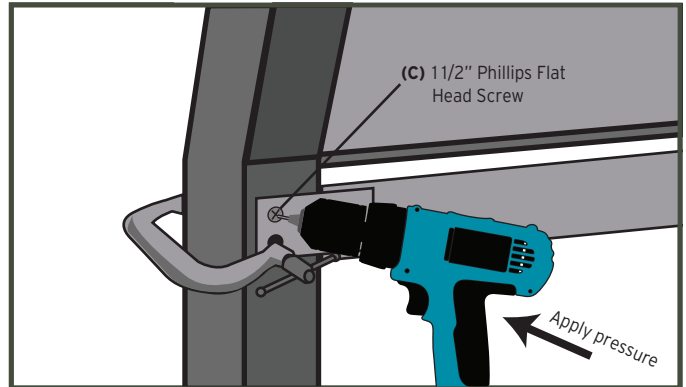
2. Insert Jack Nuts

Set aside the Cane Detection Bar and use a 7/16" drill bit to drill into the four pilot holes, making the holes the correct size for the jack nuts. Slightly wedge the jack nut into the 7/16" hole so it sits still. With a hammer, tap the jack nut into the exhibit base posts. Repeat this step for all four holes.



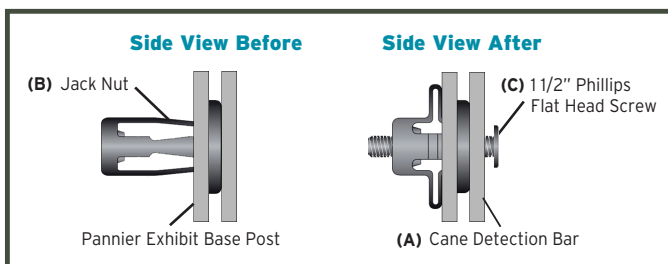
3. Clamp Cane Detection Bar

Line up the holes in the Cane Detection Bar with the jack nuts and use the clamps to hold the bar in place. Make sure the clamps are very tight; this will help hold the jack nuts in place when drilling in the screws. Place the clamps over the bottom two holes when working on the top two holes, and vice versa.



4. Secure Cane Detection Bar

Place the 1 1/2" screw through the hole in the bar and into the exhibit base post. Once the screw catches on the thread of the jack nut, use the Phillips head drill bit to feed the screw into the jack nut. Do this at a slow speed and with a lot of pressure. **It is very important that the jack nut does not spin as the screw is going in.** Look at the jack nut from the side to assure it is not spinning and if it does, apply more pressure or tighten the clamp. When the jack nut is fully collapsed on the inside of the exhibit base post, the drill will stop spinning. Repeat this step for all four holes and the Cane Detection Bar is ready for use on your exhibit base.



345 Oak Road, Gibsonsia, PA 15044
724.265.4900 | marketing@pannier.com
www.PannierGraphics.com

