

Pannier Exhibit Base

Assembly and Installation Instructions

For use with
the following
exhibit bases:



Sled Base

FORM # SLBINST
REV 10.22.19

Installing a Pannier exhibit base is as easy as 1, 2, 3.

Step 1 - Inspect and Organize

As soon as your shipment arrives, inspect all pieces and assembly components to make sure your delivery is complete.

For each exhibit base, the following will be included: (Figure 1)

- A. Frame Legs
- B. Back Leg Support
- C. Removable Top Extrusion
- D. Exhibit Panel (Use Pannier's Fiberglass Embedded (FE) or Gel Coat Laminate (GCL) panels for best results)
- E. 1/4" Aluminum Drive Rivets or 1/4"-20 Phillips Flat Head Screw
- F. Frame Assembly
- G. 3/8" Buttonhead Screws

Assembling and installing a Pannier Exhibit Base is a straight forward process made even easier if two or more people work together using the proper tools and materials to complete the task.

Recommended tools and materials:

- Hammer (For Drive Rivets only)
- Screwdriver
- Hex Key for Screws (supplied)

Step 2 - Assembly

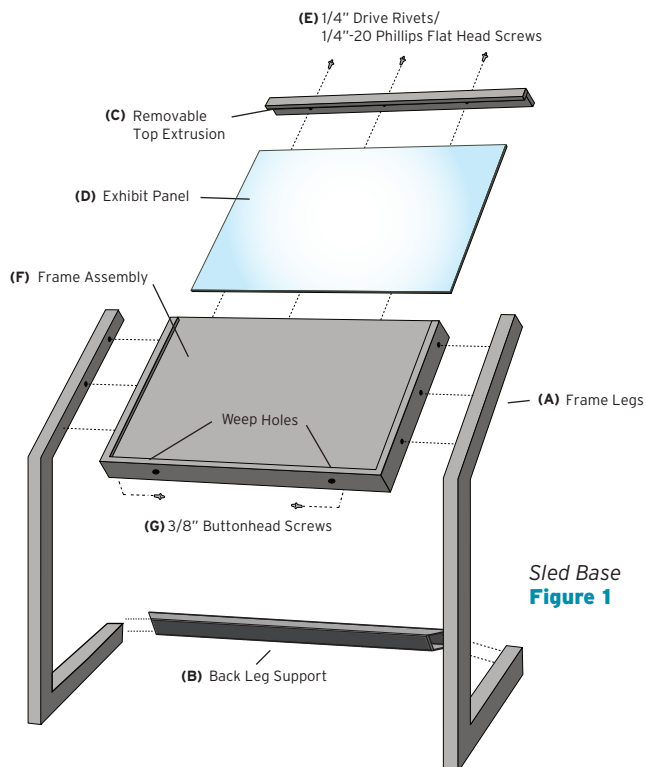
If you purchased your exhibit panels and bases from Pannier, most of the assembly has already been completed for you.

All you need to do is attach the back leg support and the sled base exhibit to the completed panel frame assembly with the supplied buttonhead screws as shown in Figure 1.

If you purchased the exhibit bases only, you will need to install your exhibit panel and attach the sled base.

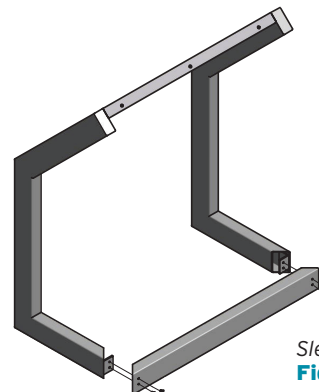
To install the exhibit panel, first remove the screws from the removable top extrusion. Place the frame assembly face-up on a raised sturdy work surface. Slide your exhibit panel face-up into the assembly channel, making sure the panel bottom matches the frame bottom as indicated by weep holes. Attach the removable top extrusion with supplied hardware to securely enclose the exhibit panel. If using drive rivets, insert the rivet and drive the pin (see Figure 2) down with a hammer until flush with the head. If your exhibit base came with screws, attach the removable top extrusion with supplied 1/4"-20 screws (see Figure 2) to securely enclose the exhibit panel. Insert screws and screw into hole with a phillips head screw driver until inserted all the way.

Attach the complete frame assembly to the legs with the supplied button head screws.



Sled Base
Figure 1

Figure 2a



Sled Base - Back View
Figure 3

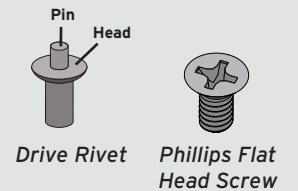


Figure 2b

345 Oak Road
Gibsonia, PA 15044
724-265-4900
marketing@pannier.com
www.PannierGraphics.com

